

# DEMAND FISH FEEDERS®

## A. Fish Feed At Their Choice:

(1) Demand Feeders allow fish to eat when they are hungry and when environmental conditions are optimum. They do not have to depend on the conventional feed charts and feeding schedules that fit an 8:00 o'clock to 5:00 o'clock day.

(2) Feed being spread over a longer day by Demand Feeders allows feed to be digested more thoroughly.

(3) Demand Feeders will also let fish eat all they want so they can grow at their fastest potential.

(4) Fish eat only what their environment allows them to. If oxygen becomes low, they will eat only what they are capable of utilizing, whereas feeding by conventional methods can mean over feeding and wasting feed.

(5) Fish with gill diseases, viral diseases and bacterial diseases will automatically reduce their intake of feed, that may have been wasted if they were fed by conventional methods. This can also be a warning sign that these fish need treatment or medication.

## B. Stress:

(1) Most of the churning and thrashing of conventional methods of feeding is eliminated when fish are fed by Demand Feeders, therefore eliminating much of their stress.

(2) Demand Feeders spread the demand for oxygen more evenly over a longer period of time each day, therefore eliminating the severe oxygen depletions that occur immediately following conventional methods of feeding.

(3) Fish being fed with Demand Feeders are more content and are not always swimming around looking for feed.

(4) Fish allowed to eat all they want on a Demand Feeder seem to be healthier and the stress induced diseases can be greatly reduced and in some cases completely eliminated.

## C. Labor and Expenses:

(1) Demand Feeders will reduce the labor required for conventional methods of feeding. They may need to be filled only once a day or less depending on the size of fish, size of the pond, and the number of feeders per pond.

(2) Demand Feeders are energy efficient and they require no electricity or other sources of energy.

## D. Performance and Efficiency:

(1) Fish fed with Demand Feeders grow as much as 30% faster. This means 30% more production on the same facilities and water.

(2) When fish are fed with Demand Feeders, stress is reduced, wasted feed is reduced, and mortalities are reduced, thus feed conversions are reduced which means fish going to market and profits are increased.

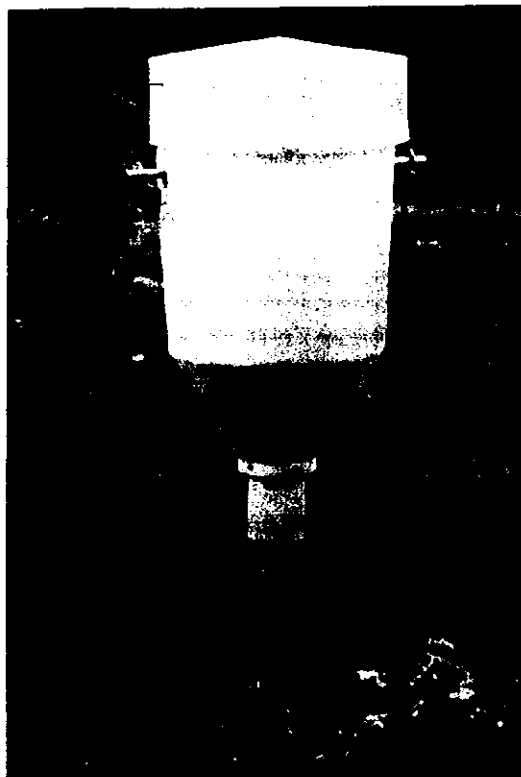
(3) A number of processing plants have reported that fish fed with Demand Feeders have had as much as 2% less dress off when they were eviscerating.

(4) Because of the shorter and deeper bodied fish raised on Demand Feeders, processors have reported as much as 3% less bone off.

(5) Fish that are programmed or scheduled to be a specific size at a certain time can be fed daily rations in the Demand Feeders, and many of the benefits that would apply to fish eating all they want, will also apply to the fish being fed daily rations.

(6) Fish being fed with Demand Feeders have had as much as 10% to 15% better conversions.

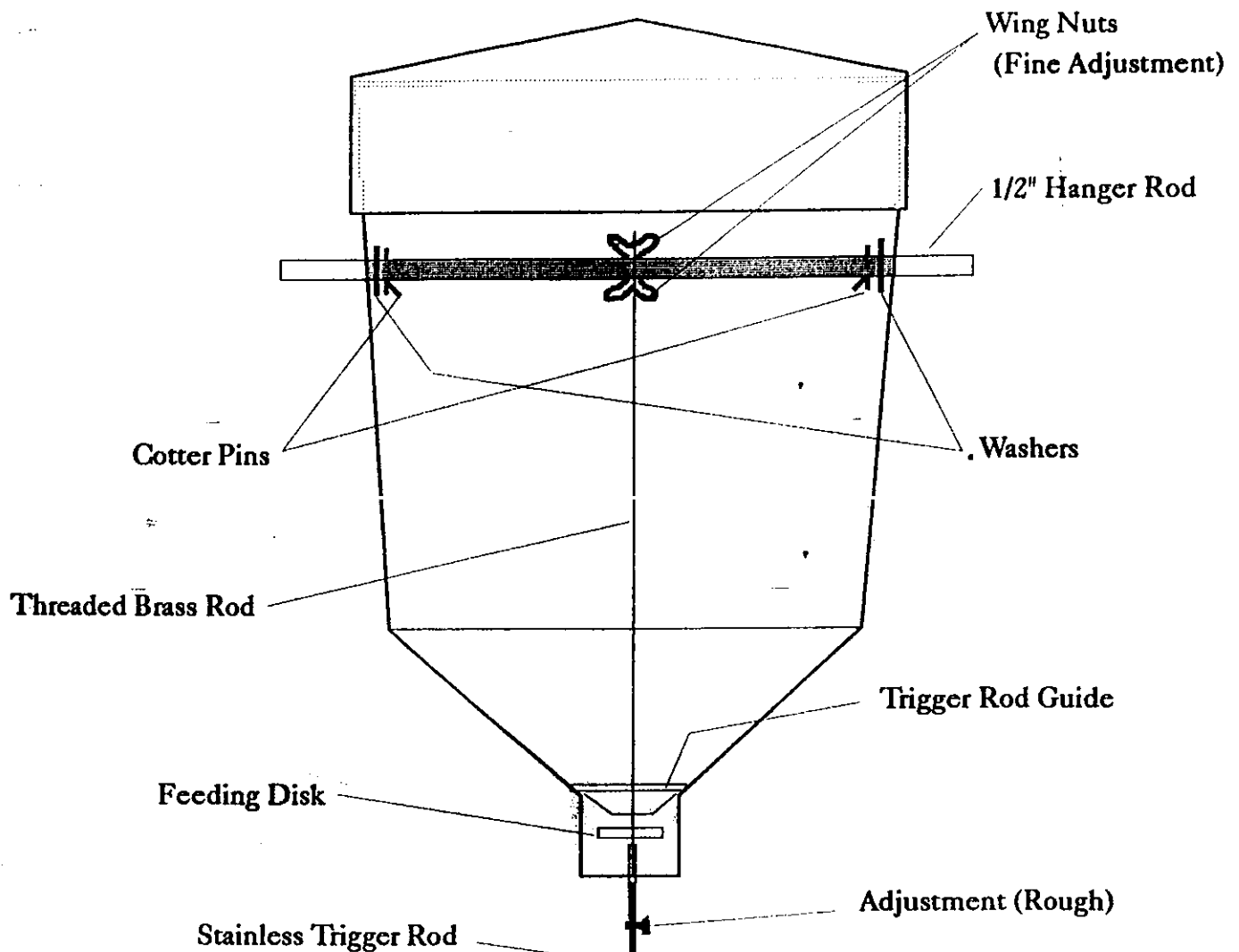
(7) Floating fish food is not necessary. Save by using conventional pellets



## E. Other Features:

(1) Demand Feeders would be convenient to use in ponds that are in isolated areas where electricity and labor are not available on a daily basis.

(2) **The Demand Feeder** has only one moving part and is virtually maintenance free. It is a rotationally molded, high density polyethylene unit. Widely known for its durability, this smooth, translucent material allows visual inspection of feed level from a distance and handles quite easily compared to rough fiberglass. The domed lid sheds water, and a wind deflector keeps wind and rain from wasting feed or gumming up the feeding disk. Adjustment of feed flow is quickly accomplished through the use of a conveniently located thumbscrew, and the capacity of our feeder is in excess of 100 lbs. Installation is quick, easy, and the feeder is self aligning when hung from a stand. Our feeders will accept a wide range of feed sizes and are priced per unit plus shipping.



1. The Demand Fish Feeder should be located in an area where the water is relatively calm. A swift current can carry feed away from the trigger rod.
2. Each feeder will feed approximately 5,000 fish up to 8 oz. if evenly spaced in a pond or raceway.
3. The feeder should be mounted where the water is at least 18" deep and should extend at least 20" from the raceway wall.
4. The feeder hanger rod should be mounted in a level position approximately 56" above the surface of the water. (the trigger rod should extend 4" to 6" below the surface)
5. Adjust the feeder rod so that pellets will fall when fish are active in the water beneath the feeder. Fine adjustment should be made through close observation of fish during

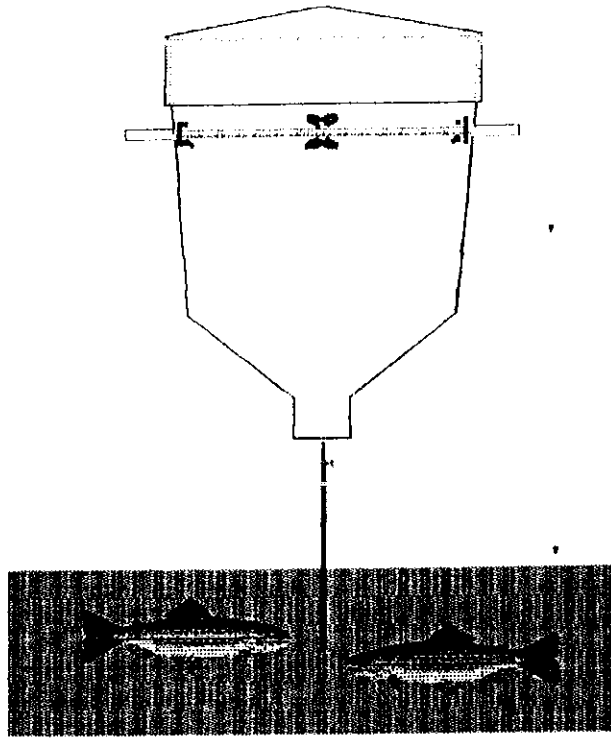
feeding periods. Secure the wing nuts when the desired adjustment is attained.

6. Fish can be trained to feed themselves in two or three days by shaking or bumping the feeder several times each day.

7. Check the feeding disk periodically for moisture and fines build-up. This will assure a constant flow of feed.

**Assembly**

Insert 1/2" hanger rod through feeder and secure with washers and cotter pins. Insert the threaded brass rod through the opening in the bottom of the feeder, then through the trigger rod guide and attach one wing nut. Extend the threaded portion of the brass rod through the hole in the center of the hanger rod and attach the second wing nut. \*Do not bend the brass rod.



The Demand Fish Feeder has only one moving part and is virtually maintenance free. It is a rotationally molded, polyethylene unit. Widely known for its durability, this smooth translucent material allows visual inspection of feed levels from a distance and handles quite easily compared to rough fiberglass. The domed lid sheds water, and a wind deflector keeps wind and rain from wasting feed or gumming up the feeding disk. Adjustment of feed flow is quickly accomplished through the use of a conveniently located wing-nut and the capacity of this feeder is in excess of 100 pounds. Installation is quick and the feeder is self aligning when hung from a stand. This feeder will accept a wide range of feed sizes from #4 crumbles to 1/4 inch pellets.

